

DVD Player

DVP4050/55/93/98

Service

Service

Service




Service Manual

Copyright 2006 Philips Consumer Electronics B.V. Eindhoven, The Netherlands
All rights reserved. No part of this publication may be reproduced, stored in a retrieval system or transmitted, in any form or by any means, electronic, mechanical, photocopying, or otherwise without the prior permission of Philips.

Published by TCL-HY 0615 Service Audio Printed in The Netherlands Subject to modification

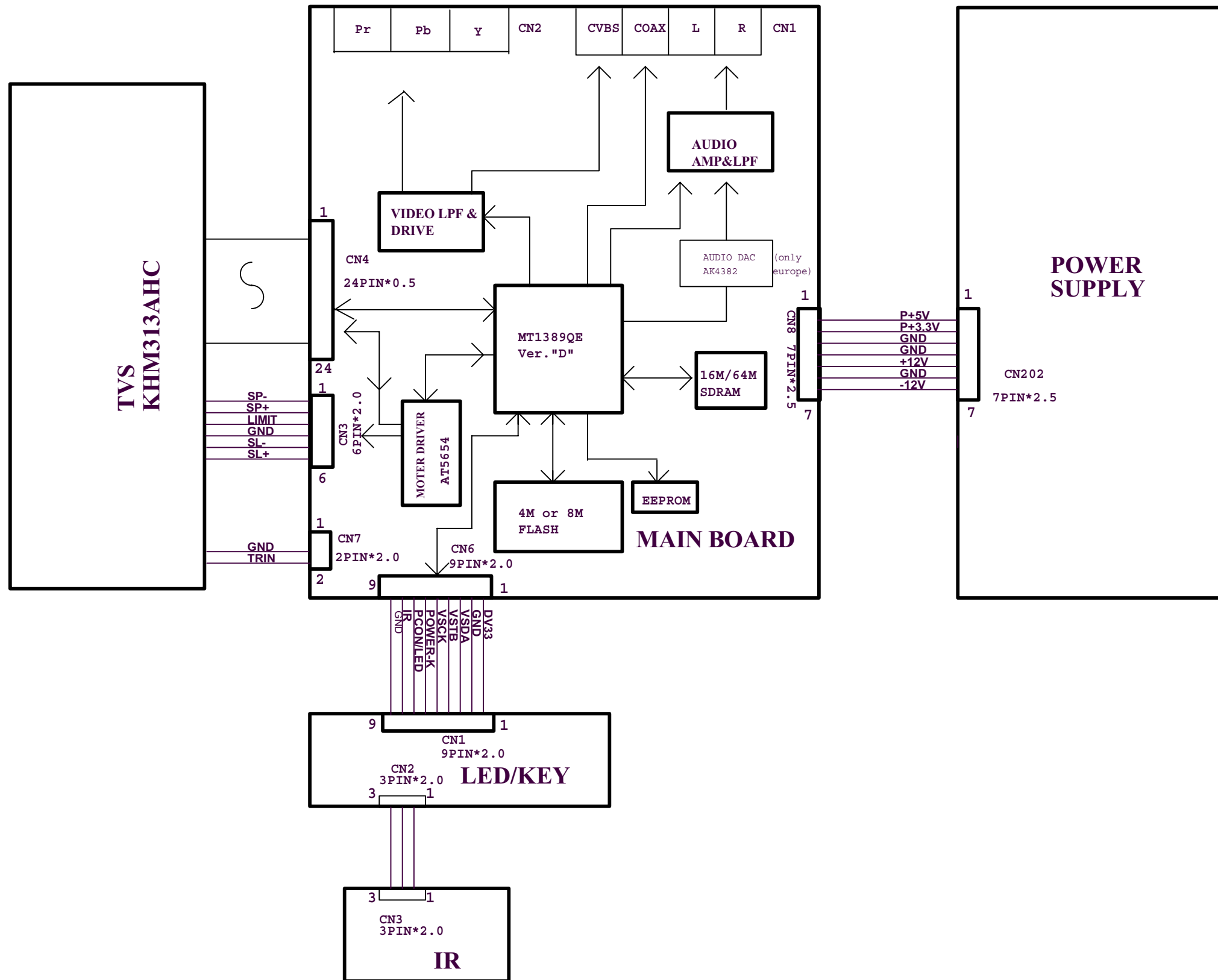
Version 1.0

**CLASS 1
LASER PRODUCT**

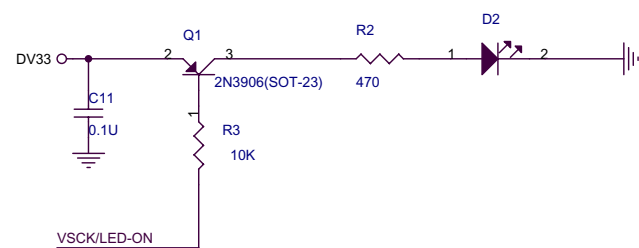
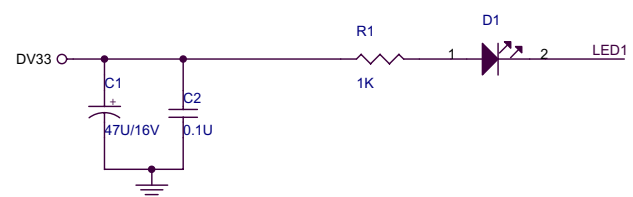
 3139 785 31750

PHILIPS

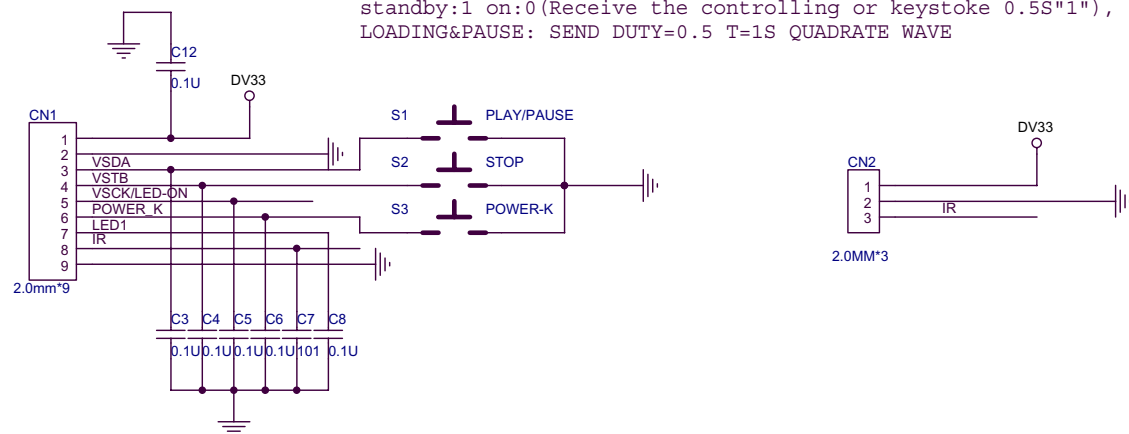
DVP4050/55/98/93/78 WIRING DIAGRAM



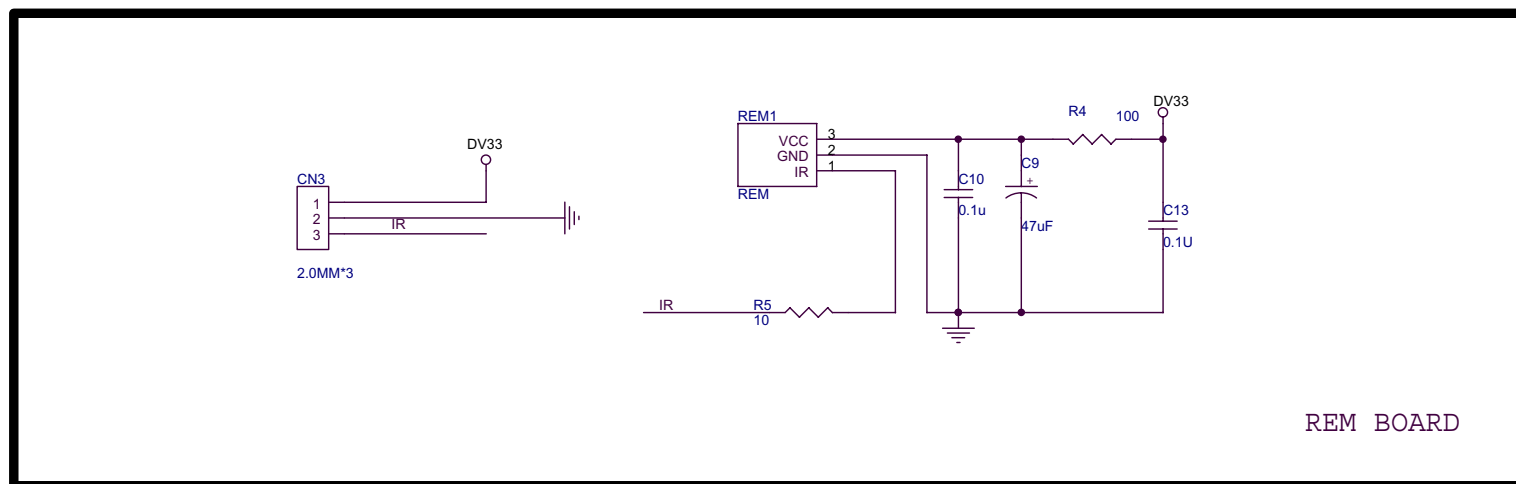
Front Board for DVP4050/XX



standby:1 on:0(Receive the controlling or keystroke 0.5S"1"),
LOADING&PAUSE: SEND DUTY=0.5 T=1S QUADRATE WAVE

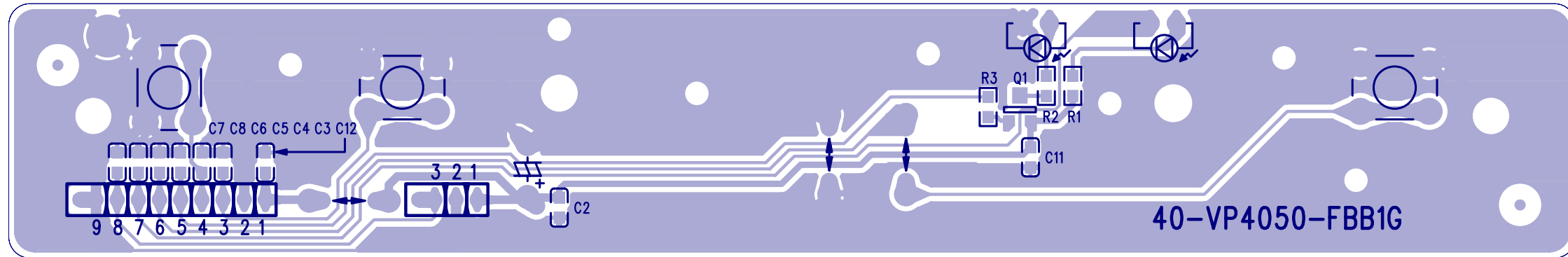


C1	A 2
C10	C 3
C11	A 2
C12	B 1
C13	C 3
C2	A 2
C3	B 1
C4	B 1
C5	B 1
C6	B 1
C7	B 1
C8	B 2
C9	C 3
CN1	B 1
CN2	B 3
CN3	C 1
D1	A 3
D2	A 3
Q1	A 2
R1	A 2
R2	A 2
R3	A 2
R4	C 3
R5	C 2
REM1	C 2
S1	B 2
S2	B 2
S3	B 2

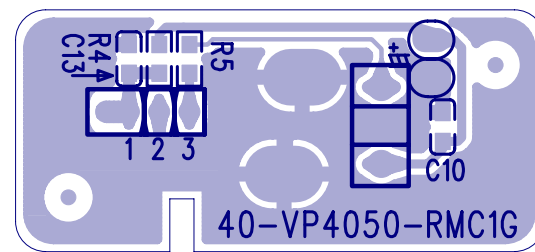


REM BOARD

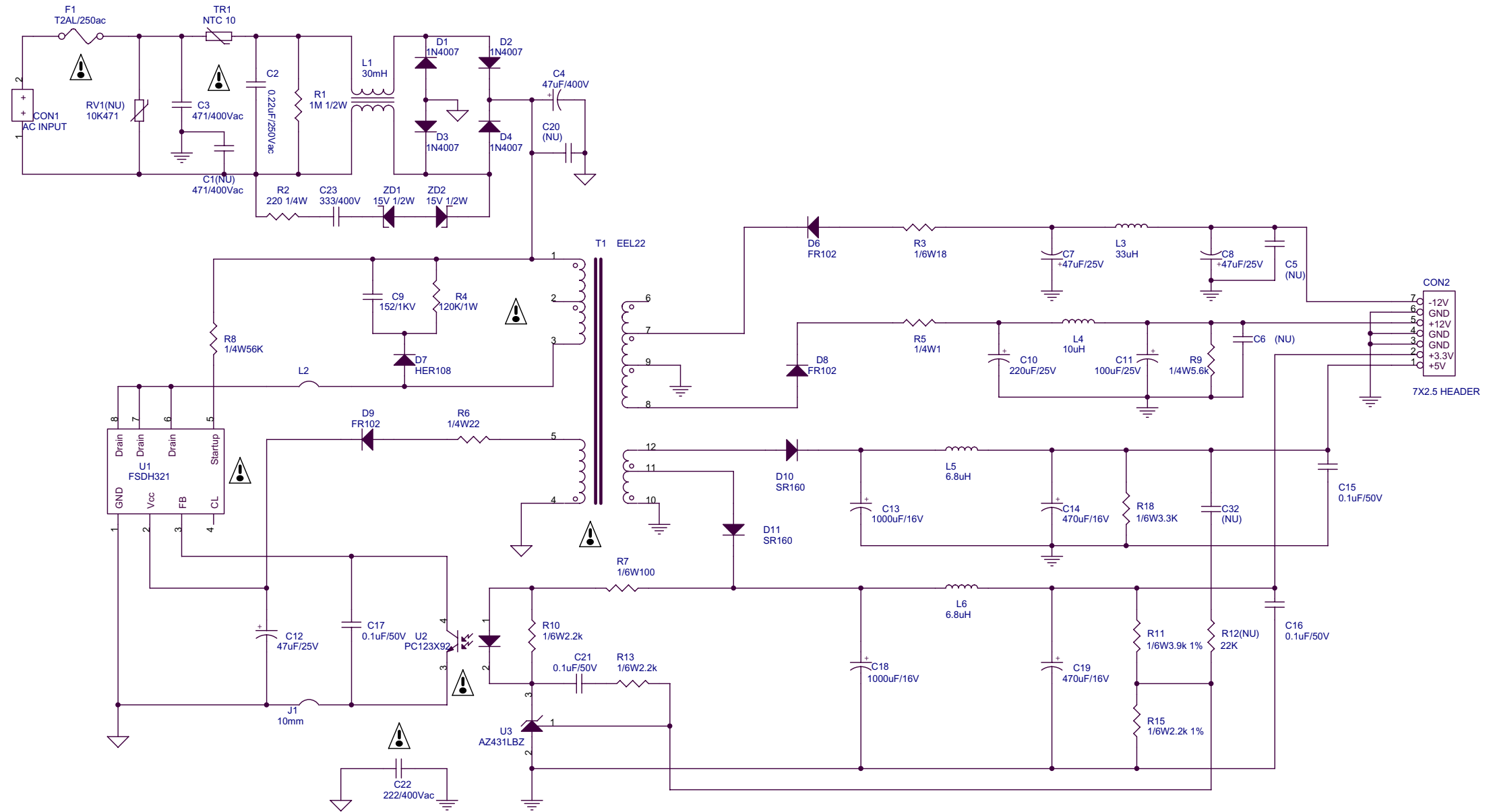
Front Board Print-layout (Bottom Side) for DVP4050/XX




RM Board Print-layout (Bottom Side) for DVP4050/XX

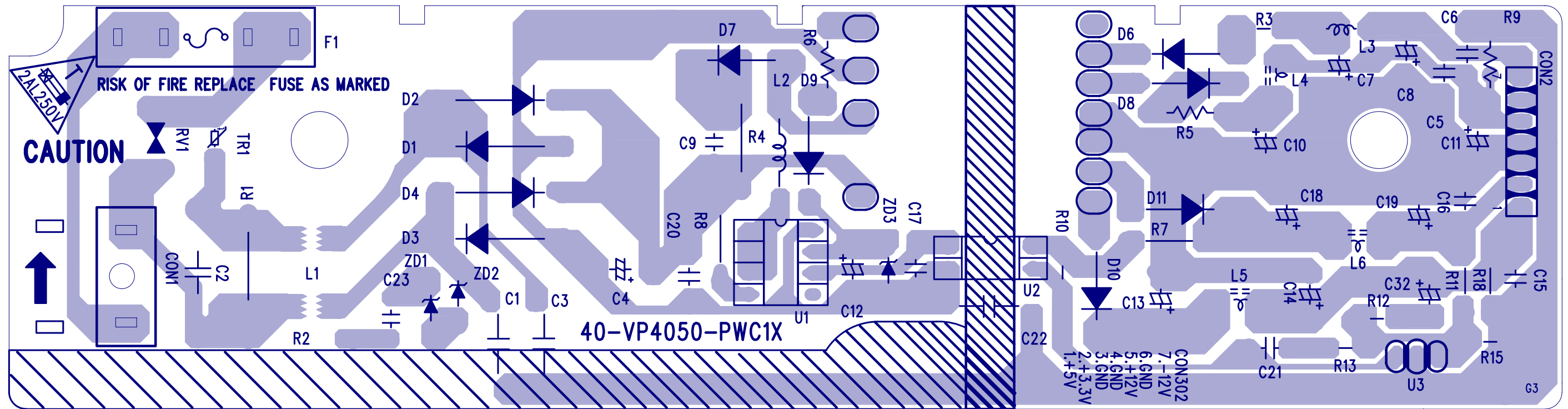


Power Board for DVP4050/XX



*** CAUTION :**
 THE PARTS MARKED WITH  ARE IMPORTANT PARTS ON THE SAFETY.
 PLEASE USE THE PARTS HAVING THE DESIGNATED PARTS NUMBER WITHOUT FAIL.

Power Board Print-layout for DVP4050/XX

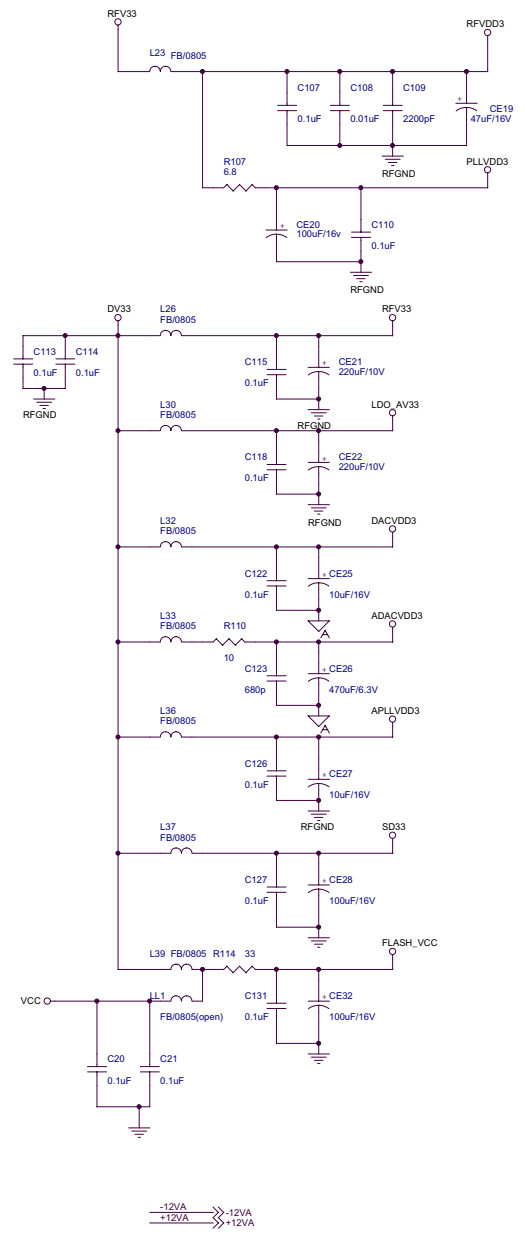
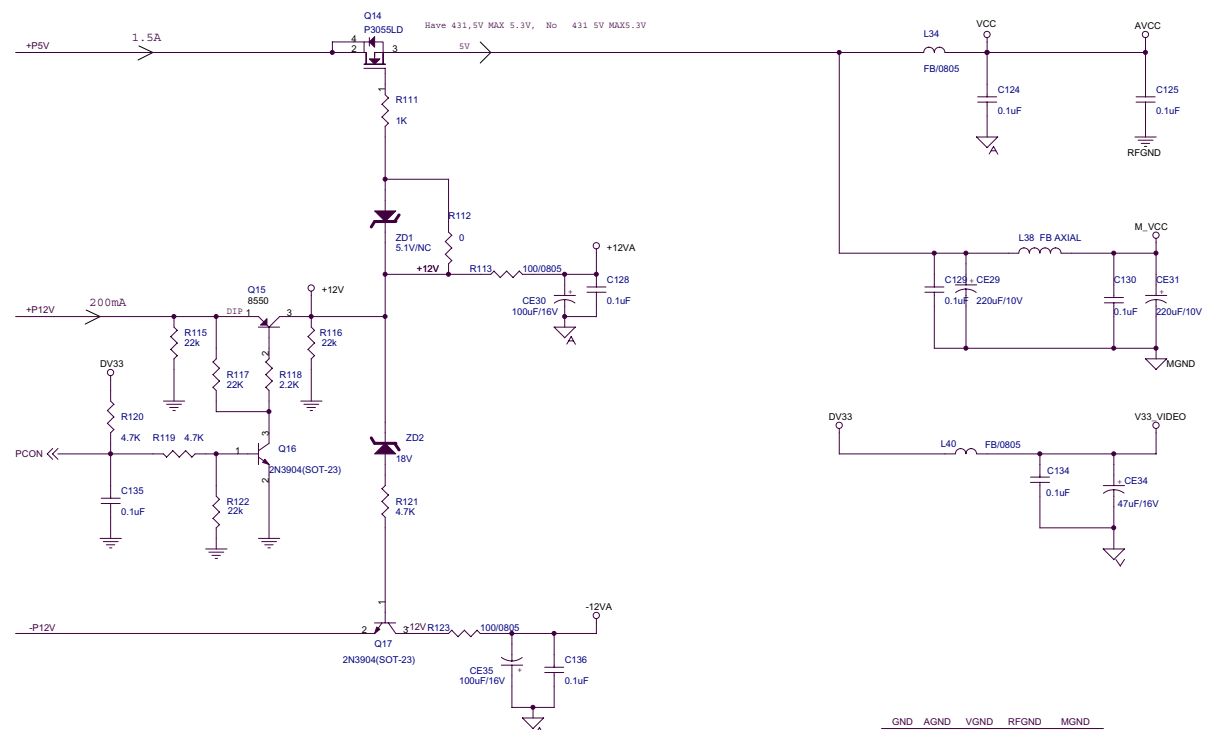
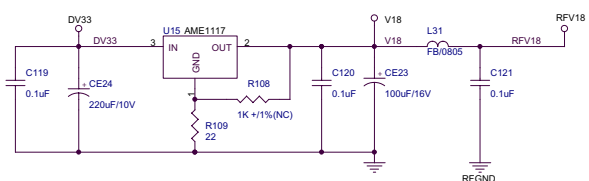
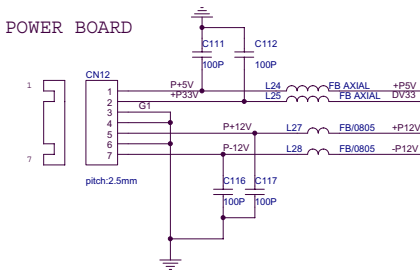


Main board: INDEX & POWER & SERVO & AUDIO for DVP4050/XX

- 1 INDEX & POWER
- 2 RF, SERVO & MPEG - MT1389D
- 3 MEMORY /VIDEO OUT

NAME	TYPE	DEVICE
VCC	Digital 5V	SUPPLY
DV33	Digital 3.3V	MT1389D
RFV33	Servo 3.3V	MT1389D
LDO_AV33	Laser Diode 3.3V	MT1389D
AVCC	RF 5V	PICKUP HEADER
V18	Digital 1.8V	MT1389D
SD33	Digital 3.3V	SDRAM
+12V	Audio +12V	OP AMP.
-12V	Audio -12V	OP AMP.
AVDD	Audio 5V	VCC_AUDIO
DVDD	Audio 3V3	VCC3_AUDIO

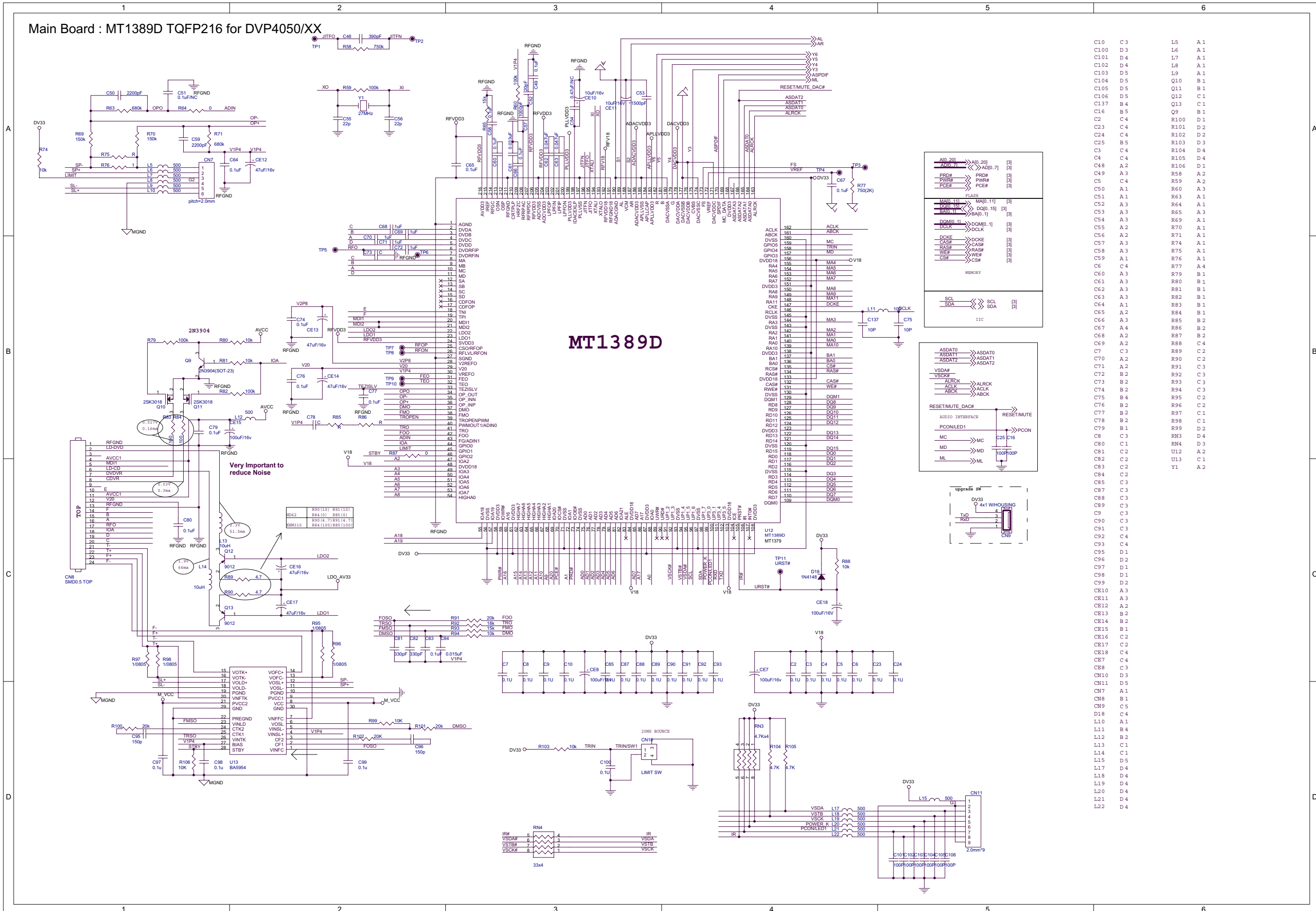
TO POWER BOARD



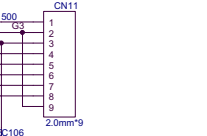
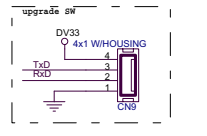
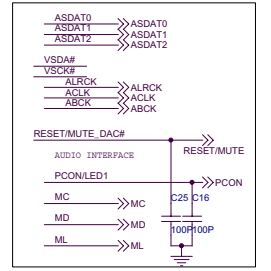
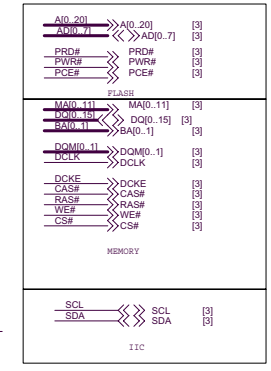
- C107 B4
- C108 B5
- C109 B5
- C110 B5
- C111 B1
- C112 B1
- C113 B4
- C114 B4
- C115 B4
- C116 B1
- C117 B1
- C118 B4
- C119 B2
- C120 B2
- C121 B3
- C122 C4
- C123 C4
- C124 C3
- C125 C3
- C126 C4
- C127 C4
- C128 C2
- C129 C3
- C130 C3
- C131 C4
- C134 D3
- C135 D1
- C136 D2
- C20 D4
- C21 D4
- CE19 B5
- CE20 B4
- CE21 B5
- CE22 B5
- CE23 B2
- CE24 B2
- CE25 C5
- CE26 C5
- CE27 C5
- CE28 C5
- CE29 C3
- CE30 C2
- CE31 C3
- CE32 C5
- CE34 D3
- CE35 D2
- CN12 B1
- L23 A4
- L24 B1
- L25 B1
- L26 B4
- L27 B1
- L28 B1
- L30 B4
- L31 B3
- L32 B4
- L33 C4
- L34 C3
- L36 C4
- L37 C4
- L38 C3
- L39 C4
- L40 D3
- LL1 C4
- Q14 C2
- Q15 C2
- Q16 D2
- Q17 D2
- R107 B4
- R108 B2
- R109 B2
- R110 C4
- R111 C2
- R112 C2
- R113 C2
- R114 C4
- R115 C1
- R116 C2
- R117 C1
- R118 C2
- R119 D1
- R120 D1
- R121 D2
- R122 D1
- R123 D2
- U15 B2
- ZD1 C2
- ZD2 D2

GND AGND VGND RFGND MGND

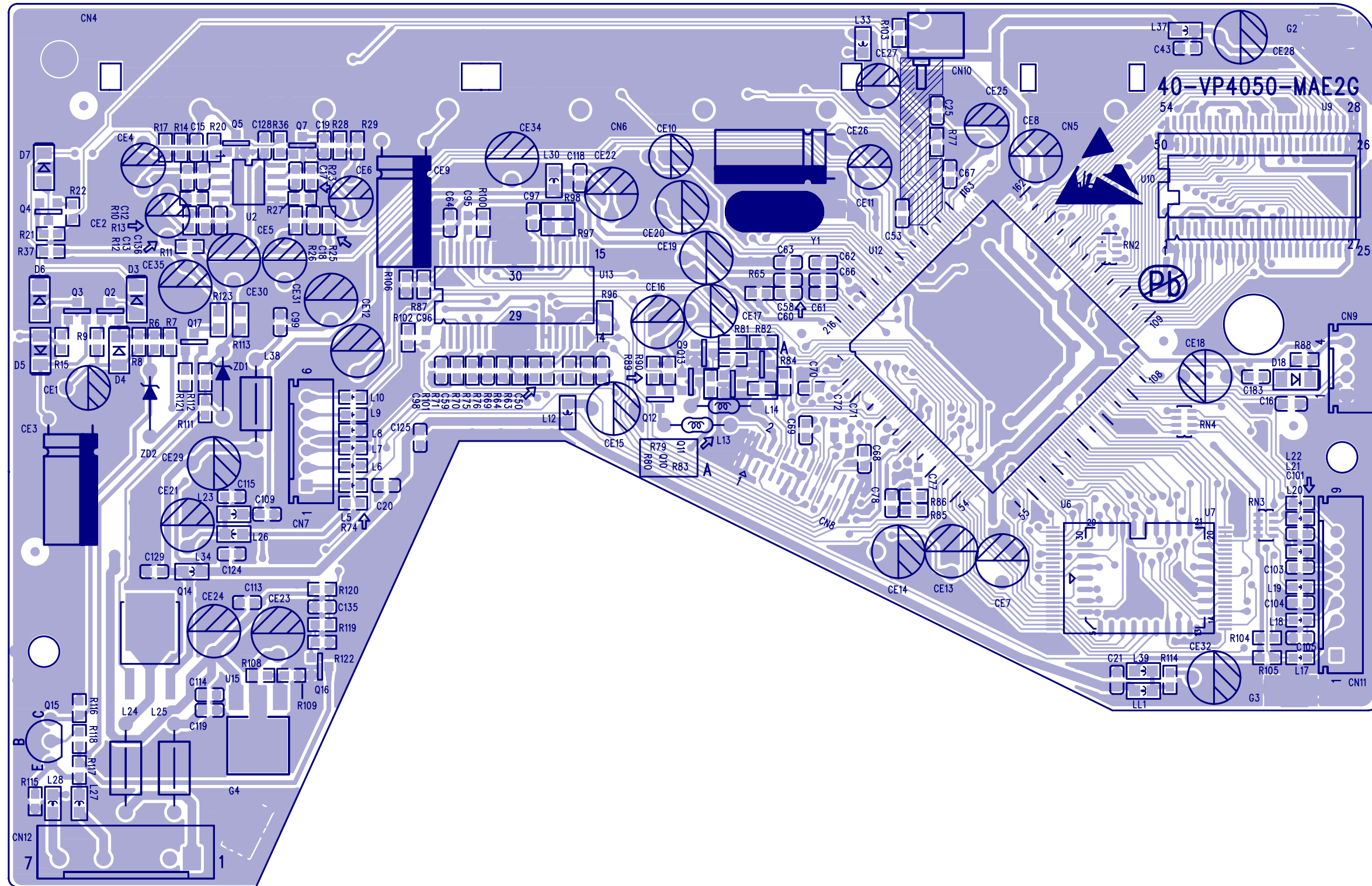
Main Board : MT1389D TQFP216 for DVP4050/XX



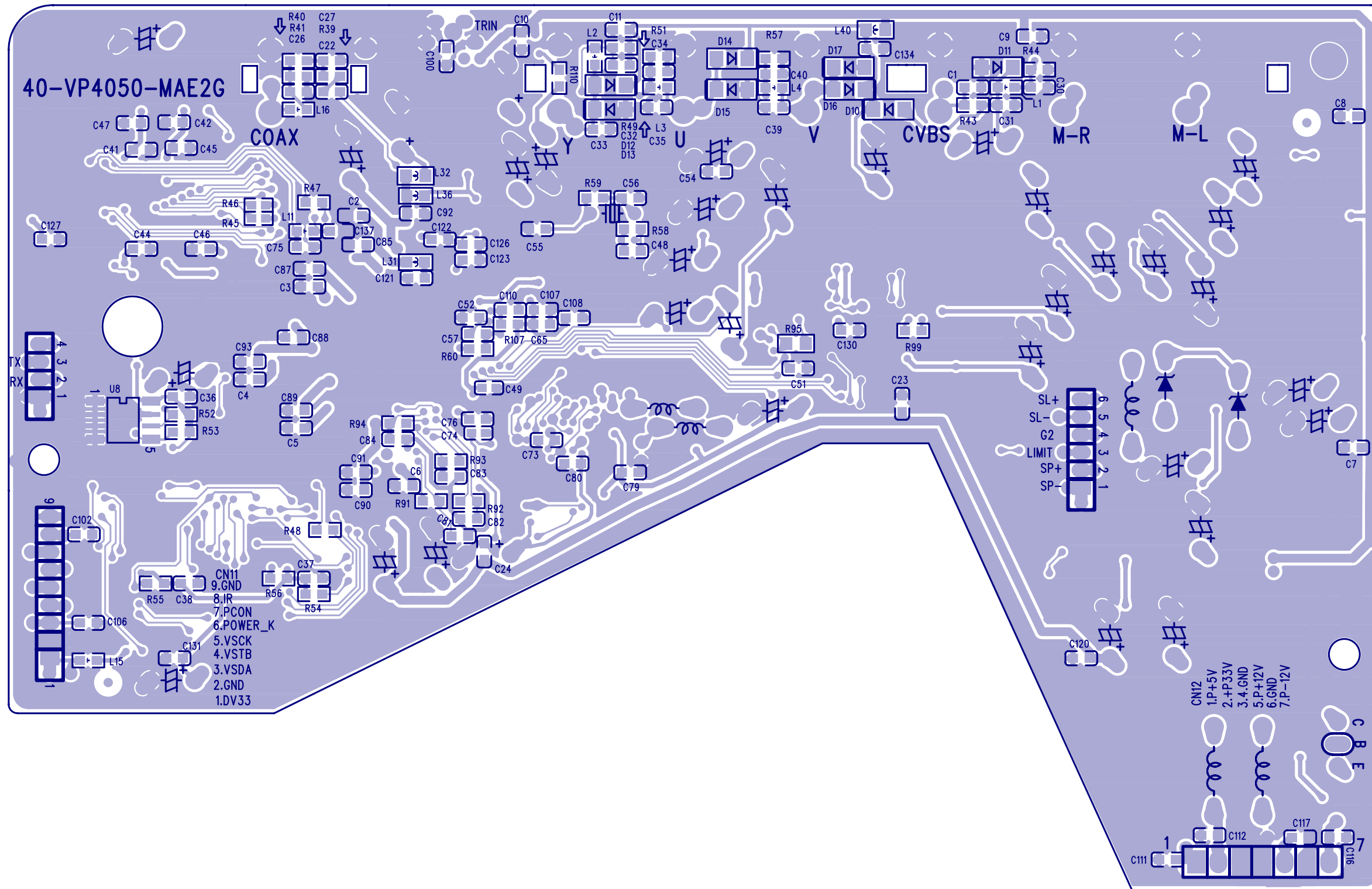
C10	C3	L5	A1
C100	D3	L6	A1
C101	D4	L7	A1
C102	D4	L8	A1
C103	D5	L9	A1
C104	D5	Q10	B1
C105	D5	Q11	B1
C106	D5	Q12	C1
C137	B4	Q13	C1
C16	B5	Q9	B1
C2	C4	R100	D1
C23	C4	R101	D2
C24	C4	R102	D2
C25	B5	R103	D3
C3	C4	R104	D4
C4	C4	R105	D4
C48	A2	R106	D1
C49	A3	R58	A2
C5	C4	R59	A2
C50	A1	R60	A3
C51	A1	R63	A1
C52	A3	R64	A1
C53	A3	R65	A3
C54	A3	R69	A1
C55	A2	R70	A1
C56	A2	R71	A1
C57	A3	R74	A1
C58	A3	R75	A1
C59	A1	R76	A1
C6	C4	R77	A4
C60	A3	R79	B1
C61	A3	R80	B1
C62	A3	R81	B1
C63	A3	R82	B1
C64	A1	R83	B1
C65	A2	R84	B1
C66	A3	R85	B2
C67	A4	R86	B2
C68	A2	R87	B2
C69	A2	R88	C4
C7	C3	R89	C2
C70	A2	R90	C2
C71	A2	R91	C3
C72	B2	R92	C3
C73	B2	R93	C3
C74	B2	R94	C3
C75	B4	R95	C2
C76	B2	R96	C2
C77	B2	R97	C1
C78	B2	R98	C1
C79	B1	R99	D2
C8	C3	RN3	D4
C80	C1	RN4	D3
C81	C2	U12	A2
C82	C2	U13	C1
C83	C2	Y1	A2
C84	C2		
C85	C3		
C87	C3		
C88	C3		
C89	C3		
C9	C3		
C90	C3		
C91	C3		
C92	C4		
C93	C4		
C95	D1		
C96	D2		
C97	D1		
C98	D1		
C99	D2		
CE10	A3		
CE11	A3		
CE12	A2		
CE13	B2		
CE14	B2		
CE15	B1		
CE16	C2		
CE17	C2		
CE18	C4		
CE8	C3		
CN10	D3		
CN11	D5		
CN7	A1		
CN8	B1		
CN9	C5		
D18	C4		
L10	A1		
L11	B4		
L12	B2		
L13	C1		
L14	C1		
L15	D5		
L17	D4		
L18	D4		
L19	D4		
L20	D4		
L21	D4		
L22	D4		



Main Board Print-layout (Top Side) for DVP4050/XX

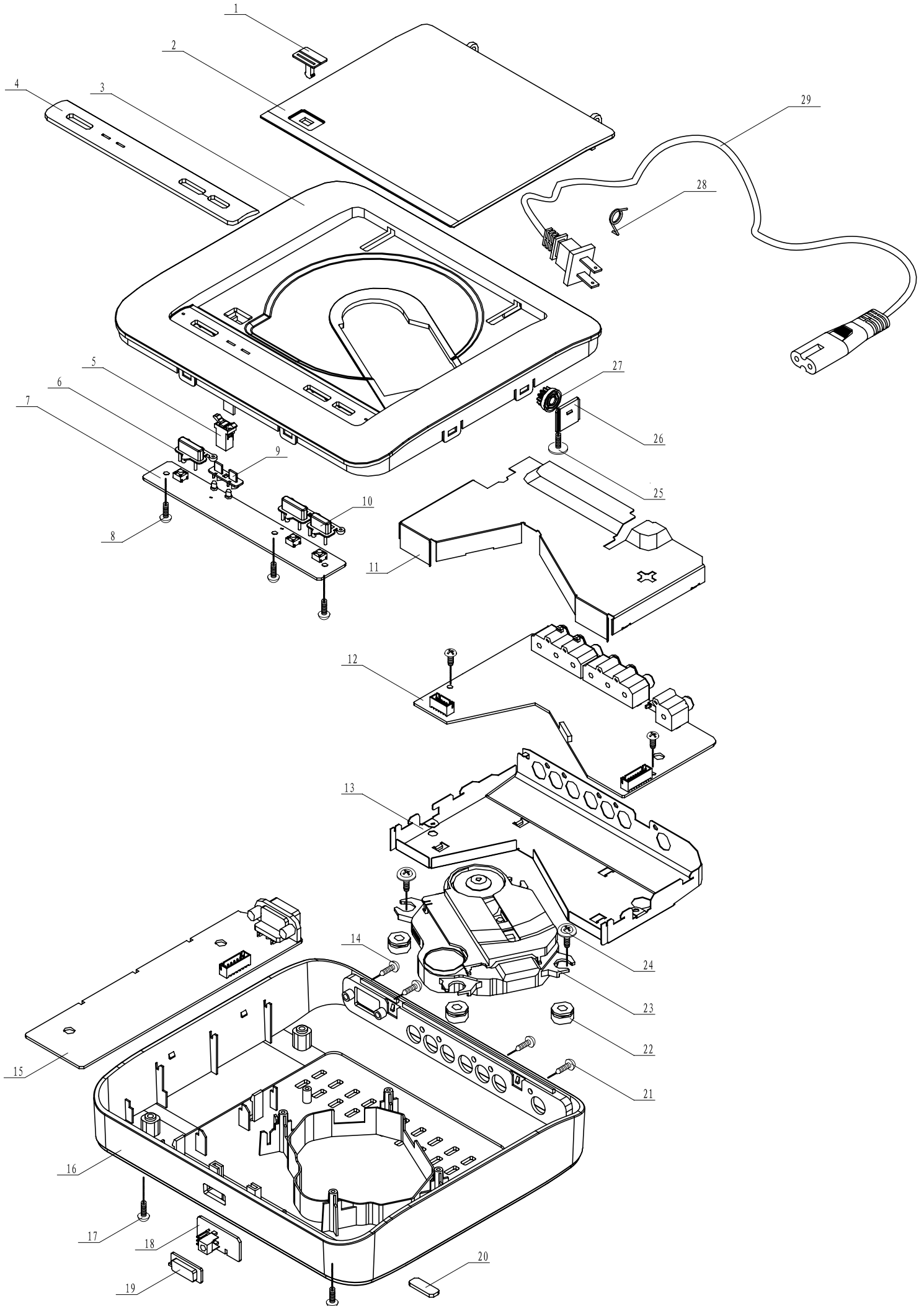


Main Board Print-layout (Bottom Side) for DVP4050/XX



DVP4050/XX Mechanical Exploded View

7-1



MAIN ENCASING & ACCESSORIES PARTS LIST

12	9965 000 35355	ASSY-MAIN BD (/98/93 Only)
12	9965 000 37500	ASSY-MAIN BD (/55 Only)
15	9965 000 35357	ASS'Y-PW BD
23	9965 000 35358	ASS'Y- LOADER KHM-313AHC
29	9965 000 13933	\$ POWER CORD 1880 +/-20MM (/98 Only)
29	9965 000 26550	\$ POWER CORD 1.8M (/93 Only)
29	9965 000 37501	\$ POWER CORD (/55 Only)
7	9965 000 35356	ASS'Y-FB BD
AC	9965 000 22497	AUDIO CABLE 1,5M WHITE/RED
RC	9965 000 34176	REMOTE CONTROL
VC	9965 000 22495	VIDEO CABLE 1,5M YEL

Note: Only the parts mentioned in this list are normal service spare parts.

REVISION LIST

Version 1.0

* Initial release